

Architectural Grade Up / Down Lights

EREBUS



Available Finishes:



Copper



Stainless Steel



Voltage: 12V

Construction: Machined Copper, or 316 Marine Grade Stainless Steel

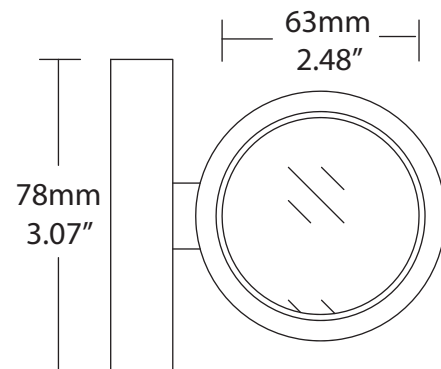
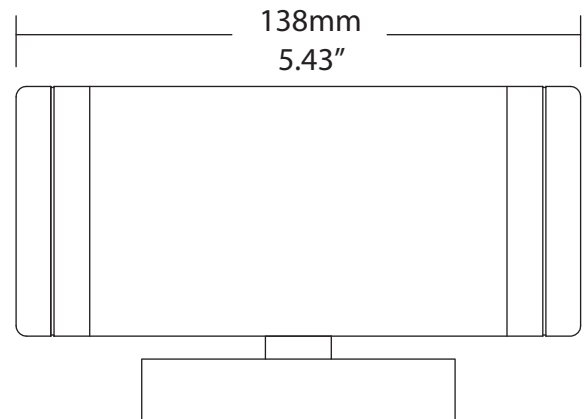
Weight: 3.00 lbs

Socket: Two Ceramic MR16 Sockets

Wattage: Maximum 20 Watts

Lens: High Tempered, Clear Flat 1/8" Glass

Mounting: Fixed Stainless Steel Bracket
Lamp Not Included



Recommended LED Lamps

LED 6W VWW 15 SP	6W MR16 2700K 15° Spot
LED 6W VWW 45 FL	6W MR16 2700K 45° Flood
LED 6W WW 15 SP	6W MR16 3000K 15° Spot
LED 6W WW 30 NFL	6W MR16 3000K 30° Narrow Flood
LED 6W WW 45 FL	6W MR16 3000K 45° Flood
LED 6W NW 15 SP	6W MR16 4000K 15° Spot
LED 6W NW 45 FL	6W MR16 4000K 45° Flood
LED 6W CW 15 SP	6W MR16 5500K 15° Spot
LED 6W CW 45 FL	6W MR16 5500K 45° Flood
LED 2X WW 15 SP	2X MR16 3000K 15° Spot
LED 2X WW 30 NFL	2X MR16 3000K 30° Narrow Flood
LED 2X WW 45 FL	2X MR16 3000K 45° Flood